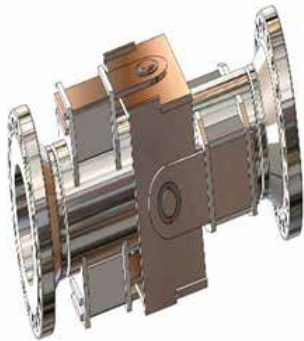
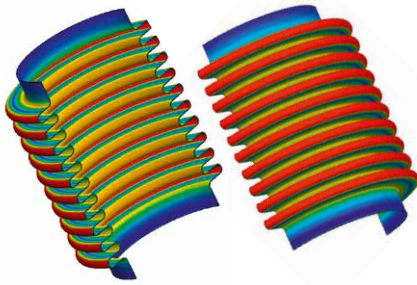


Metal Expansion Joints

Involved In Expansion



WHY CHOOSE LBH INTERNATIONAL AS YOUR SUPPLIER

Choosing the right bellows supplier is of outmost importance, no matter how complicated or simple your design is. Safety and operational performance is crucial, irrespective if you design a new plant or replace existing joints. By choosing LBH International A/S, you can be assured that you will get a supplier, that can support you all the way from design to installation, making sure you will get the exact correct solution for your needs.

LBH International A/S has engineered, manufactured and supplied thousands of metal expansion joints to clients all over the world. Solutions ranging from the simple to the most complex designs. LBH International A/S, has assisted customers with expansion joints tailored for their exact needs. During the years LBH International has built up a large number of satisfied customers all over the world, with its reputation as a first class provider of customized expansion joint solutions.

Our state-of-the-art solutions are monitored and recognized by 3rd party notify bodies. LBH is also a member of the European Technical Committee for EN14917, regulating the calculation, design and manufacturing of steel Bellows.

LBH International A/S is recognized by:

- State of the art engineering and design support
- High quality in products
- Expansion joints designed by our design team in Denmark.
- Very competitive pricing, due to manufacturing setup in Poland and Hungary.
- Documentation as per customer requirements

PRODUCT CAPABILITIES

Size: From DN50-DN5000

Pressure: Up to 250bar (or more if required)

Materials: All stainless steel & High alloyed stainless steel (Including Inconel, Incoloy, Hastelloy, Duplex, Titanium, Tantal-coated & PTFE coated bellows)

Design codes: EN 14917, EN 13480, EN 13445, PED 2014/68/EC, EJMA, ASME VIII, Div. I, ASME B31.1, ASME B31.3 & AD2000

Company approvals: EN ISO 9001:2015, EN ISO 14001:2015, PED 2014/68/EU Module H, TR CU 032/2013, Transfer marking within EN 10204 3.1B PED/AD-M W, DNV-GL, Bureau Veritas, RINA etc. approvals as per request.



LBH INTERNATIONAL A/S

Kohaven 9, DK-5300 Kerteminde, Denmark
Tel. Int.: +45 65 32 46 11 | Fax Int.: +45 65 32 45 11
<http://www.lbhint.com> | E-mail: sales@lbhint.com



Metal Expansion Joints

Involved In Expansion

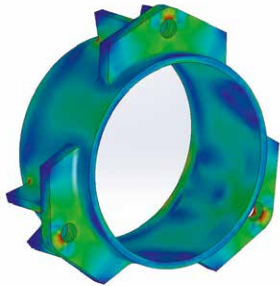


DOCUMENTATION

LBH International A/S treats the documentation of their products, as a vital part of the supply, meaning it we also treat this with highest respect.

We can supply all documentation that is requested by the client, including ITP, welding logs, pressure test certificates, material certificates, FEA, X-ray reports etc.

We also have cooperation with 3rd party inspectors such as Lloyds, RINA, Bureau Veritas etc. if requested. If you have any special request regarding your documentation, we will be open to discuss how this can be met.



HOW CAN LBH INTERNATIONAL ASSIST YOU

Through the years LBH International A/S have been supporting clients, in making customer specific designs. LBH will be able to give advice in all aspects of the design (including FEA-analysis etc.)

With its dedicated team of experienced engineers, LBH International A/S can assist you, from the earliest stages of your design or help to troubleshoot, if you have a design with life expectancy shorter than expected etc.

LBH International is experienced working with clients ranging from small local companies, to big international world leading companies. No matter if you are a small or big company, we always strive to give you the best possible support.

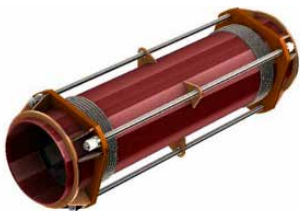
APPLICATIONS

- Oil and Gas
- Petrochemicals
- Power
- District heating and cooling
- Gas and Steam turbines
- Steel Industry
- Tank Farms
- Water
- Cement
- OEMs



REFERENCES

SABIC, Shell, Belfinger, ESSAR, Babcock Borsig
Steinmüller, Siemens, CLYDE BERGEMANN, GE-Alstom, GE,
LURGI, STATOIL, RAFAKO



LBH INTERNATIONAL A/S

Kohaven 9, DK-5300 Kerteminde, Denmark
Tel. Int.: +45 65 32 46 11 | Fax Int.: +45 65 32 45 11
<http://www.lbhint.com> | E-mail: sales@lbhint.com